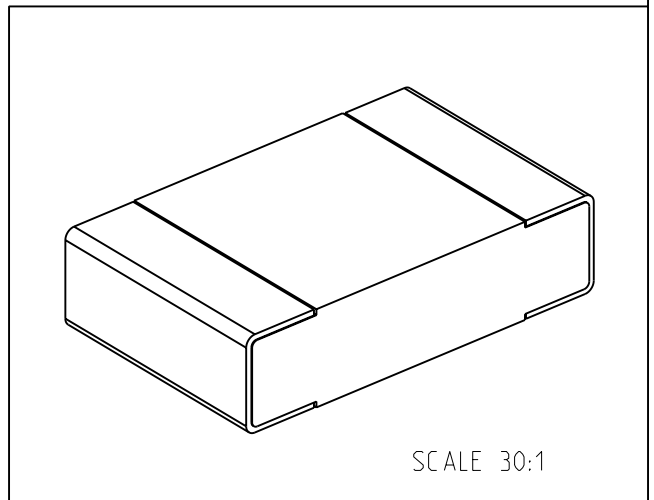


|     |      |           |     |             |           |     |      |
|-----|------|-----------|-----|-------------|-----------|-----|------|
| LOC | DIST | REVISIONS |     |             |           |     |      |
| E   | B    | P         | LTR | DESCRIPTION | DATE      | DWN | APVD |
|     |      |           | BA  | NEW RELEASE | 25-MAR-10 | MRS | St.P |

FOR FURTHER INFORMATION SEE DATA SHEET FOR  
NTC SERIES-NEGATIVE TEMPERATURE COEFFICIENT CHIP THERMISTORS



RoHS Compliant

2010

RELEASED FOR PUBLICATION

THIS DRAWING IS UNPUBLISHED.

BY TYCO ELECTRONICS CORPORATION. ALL RIGHTS RESERVED.



|  |                   |           |   |           |             |               |
|--|-------------------|-----------|---|-----------|-------------|---------------|
| DIMENSIONS:<br>mm                      | DWN<br>MAHARUDRA  | 25-MAR-10 | MATERIAL  | -         | FINISH      | -             |
|  | CHK<br>ALLAN.P    | 25-MAR-10 | Tyco Electronics Corporation<br>Dorcan, Swindon, SN3 5HH                    |           |             |               |
| TOLERANCES UNLESS OTHERWISE SPECIFIED: | APVD<br>STEPHEN.P | 25-MAR-10 |   |           |             |               |
| 0 PLC ±0.2                             | PRODUCT SPEC      | -         | NAME<br>NEGATIVE TEMPERATURE COEFFICIENT CHIP THERMISTORS<br>SERIES NTC0805 |           |             |               |
| 1 PLC ±0.1                             | APPLICATION SPEC  | -         | SIZE  | CAGE CODE | DRAWING NO  | RESTRICTED TO |
| 2 PLC ±-                               |                   |           | A 4   | 00779     | © = 1624354 | -             |
| 3 PLC ±-                               |                   |           | CUSTOMER DRAWING  |           |             |               |
| 4 PLC ±-                               | WEIGHT            | -         | SCALE   | 40:1      | SHEET       | 1 OF 1        |
| ANGLES ±5°                             |                   |           |   |           | REV         | BA            |

